

Model DSL

Double Ended Shear Beam Load Cell

**PRECIA
MOLEN™**
WORLDWIDE WEIGHING

CAPACITIES

10t 20t 30t
50t 75t 100t

FEATURES

- Double-ended shear-beam, ideal for Tanks and Hoppers – even with agitator
- Lift-off protection
- Allows for thermal expansion
- Fully welded stainless steel load cell
- Protected to IP 68 (EN 60529)
- Available in ATEX version for Zone 0-1-2 (gas) and 20-21-22 (dust)
- Integral cable : 12 meters



LOAD MOUNT ASSEMBLY

OPTIONS

To extend these areas of use further a number of ancillaries are available. These include Foundation Plates, Thermal Insulations, Shim-packs and potential equalising conductors

Certified Intrinsically Safe – for hazardous area operation

This option allows the DSL to be used in all zones and Gas Groups etc.

Double Ended Shear Beam Load cell – ideal for tank and hopper weighing

The Shear beam load cells are inherently insensitive to side and thrust loads and this characteristic makes them ideal for tank and hopper weighing especially when agitation is taking place or Wind-loading occurs.

This double-ended version creates a compact construction, even at large capacities and simplifies installation due to reduced foundation loads. The all-welded construction means that the cell is impervious to moisture ingress and guarantees a long and reliable working life



LOAD CELL MODEL DSL

Purpose designed mounting assembly

The load cell design minimizes error due to side loads and misalignment. These benefits are fully taken advantage of with the purpose to guarantee installation

Bi-directional freedom of the plate compensates for high-degree of misalignment site, This is particularly important in large vessel installations where it is not always practicable to guarantee installation tolerance

Lift-off protection prevents the vessel

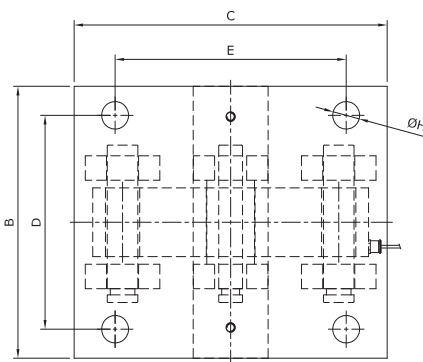
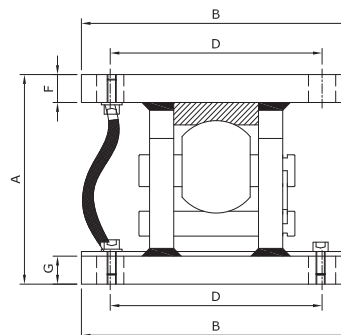
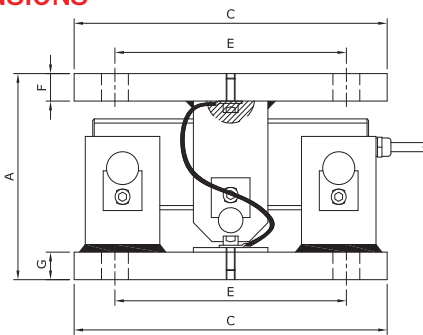
tilting e.g. due to wind induced overtime loads applications choice of plate steel assembly for normal industrial applications or stainless steel for hygienic applications

TECHNICAL SPECIFICATION

SPECIFICATIONS		
Nominal capacities (Ln)	10,20,30 50,75 & 100	t
Accuracy class	3000	n.OIML
Minimum dead load	0	%Ln
Service load	150	%Ln
Safe load limit	200	%Ln
Total error	<±0.017	%Sn
Repeatability error	<±0.015	%Sn
Temperature effect : on zero	<±0.01	%Sn/5°K
on sensitivity	<±0.006	%Sn/5°K
Creep error (30 minutes)	<±0.016	%Sn
Temperature compensation	-10...+40	°C
Temperature limits	-30...+70	°C
Nominal sensitivity (Sn)	2±0.1%	mV/V (1)
Nominal input voltage	10	V
Maximum input voltage	15	V
Input impedance	800 ±30	Ω
Output impedance	700 ±5	Ω
No load output	±2	%Sn
Insulation resistance	> 5000	MΩ
Maximum deflection (at Ln)	0.6-1	mm
Cable Length	12	m

All percentages are related to Full Rated load

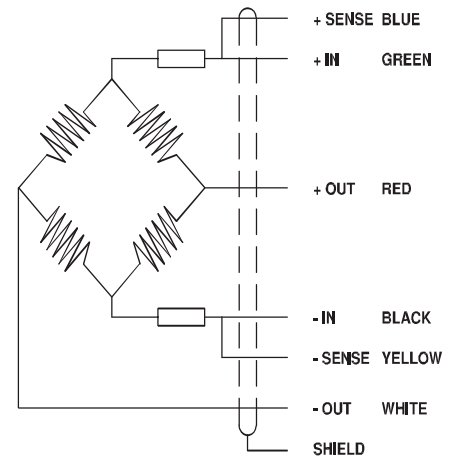
DIMENSIONS



DIMENSION ARE ALL IN MM

CAPACITY (t)	A	B	C	D	E	F	G	ØH
5 - 20	135	178	210	140	155	18	18	18
30 - 50	177	228	295	175	175	25	25	22
75 - 100	250	250	360	195	240	25	25	22

ELECTRICAL CONNECTIONS



PRECIA MOLEN ASIA PACIFIC SDN BHD

NO. 51 - G & 51 - 1, Jalan PJU 5/21, The Strand
 Kota Damansara 47810 Petaling Jaya
 T + 60361513431 F + 60361513139
 Website: www.preciamolen.com