

# R1 DL Range Industrial Platform scales for table-top installation



## Application

R1 DL scale platforms are especially designed for intensive use and are equipped with a single point load cell making them extremely reliable and ensuring optimum accuracy.

Their compact design makes these scales an ideal choice for all table-top weighing operations.

R1 DL scale platforms are available in two versions:

### ▼ R1 DL

Frame constructed in hot zinc dipped, dichromat mild steel with epoxy coating (protection rating IP 54). Over size platform in stainless steel, type 304 L.

### ▼ R1 DL-S

Stainless steel construction type 304 L and stainless steel load cell (IP 67).

Manufactured to industrial protection rating IP 67 this model fulfills all requirements with respect to hygiene and cleaning as stipulated by the food, chemical and pharmaceutical industries.

R1 DL scale platforms may be combined with a selection of PRECIA-MOLEN weight indicators for trade (3,000 e) or internal (non trade) applications.

## European directives

Compliant with the definition of a conventional load receptor in accordance with the guide WELMEC 2.4.

## Option

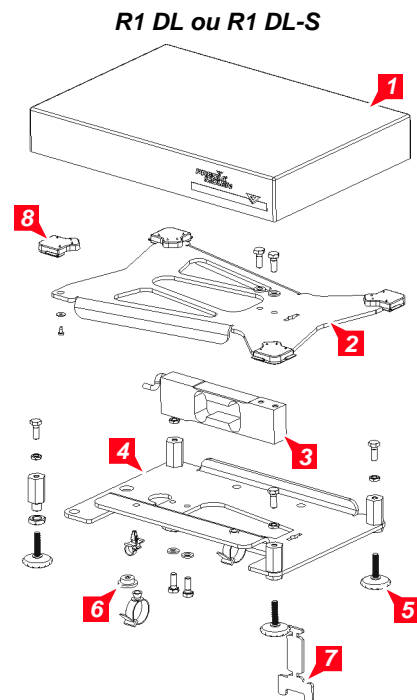
Ex version for use in gas and dusty explosive zones according to the new 94/09/CE directive.

EEx ia IIC T6 II2G    Ex ia D21 T100°C II2D.

## Models

Weighing capacity	Scale division	Trade use	
		R1 DL	R1 DL-S
1,5 kg / 3 kg	0,5 g / 1 g	●	●
3 kg	0,1g	×	×
3 kg	1 g	●	●
3 kg / 6 kg	1 g / 2 g	●	●
6 kg	0,2 g	×	×
6 kg	1 g	●	×
6 kg	2 g	●	●
6 kg / 15 kg	2 g / 5 g	●	●
15 kg	0,5 g	×	×
15 kg	1 g	×	×
15 kg	5 g	●	●

## Conception



1. Platform 325 x 225
2. Platform bearer
3. Load cell
4. Mounting frame
5. Adjustable feet
6. Spirit level
7. Transport safety device
8. Plug shock absorber

## Technical data


### Physical characteristics

Model	Platform size (LxW) mm	Feet centre- to-centre distance mm	Height		Weight
			Min.	Max.	
R1 DL	325 x 225	265 x 165	83 mm	99 mm	4,4 kg
R1 DL-S	325 x 225	265 x 165	83 mm	99 mm	4,4 kg

### Extent of standard supply

R1 DL platform scales include a 3 m cable (except models STD : 1 m 50 cable) for connection to an indicator (DIN connector, type 45326 - 8 pins female).

### Wiring (DIN 45326 - 8 pins male)

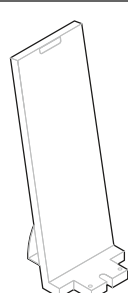
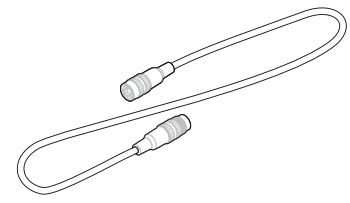
Connector	Pin	Signals
	1	Load cell signal +
	2	Excitation -
	3	Excitation -
	4	Load cell signal -
	5	Excitation +
	6	Sense +
	7	Sense -
	8	Excitation +

## Metrological characteristics

Max.		Accuracy (Trade use)	Accuracy (for non Trade use)		Load cell standard version		Load cell Stainless steel ver- sion	
Simple	Bi-etendue	3000 e	d	Number of divi- sions	Max.	Max. dead load	Max.	Max. dead load
-	1,5 kg/3 kg	0,5 g / 1 g	-	-	7 kg	0 kg	7,5 kg	0 kg
3 kg	-	-	0.1 g	30 000	7 kg	0 kg	7,5 kg	0 kg
3 kg	-	1 g	1 g	3 000	7 kg	0 kg	7,5 kg	0 kg
-	3 kg/6 kg	1 g / 2 g	-	-	10 kg	0 kg	10 kg	0 kg
6 kg	-	-	0.2 g	30 000	10 kg	0 kg	10 kg	0 kg
6 kg	-	1 g (6000 e)*	1 g	6 000	10 kg	0 kg	10 kg	0 kg
6 kg	-	2 g	2 g	3 000	10 kg	0 kg	10 kg	0 kg
-	6 kg/15 kg	2 g / 5 g	-	-	20 kg	0 kg	30 kg	0 kg
15 kg	-	-	0.5 g	30 000	20 kg	0 kg	30 kg	0 kg
15 kg	-	-	1 g	15 000	20 kg	0 kg	30 kg	0 kg
15 kg	-	5 g	5 g	3 000	20 kg	0 kg	30 kg	0 kg

\* Standard model only.

## Options & Accessoires

Colonne pour fixation indicateur en hauteur	Prolongateur
 <p>H = 240 / 390 / 525 mm</p>	<p>L = 3 / 6 / 12 / 24 m</p> 

### Your weighing specialist

Illustrations are not contractual. Precia-Molen reserves the right to modify at any time, without prior notice, the information contained in this leaflet.

Offices and Factory **PRECIA-MOLEN**  
 P.O. Box 106 - F 07000 Privas - France  
 Tel. 33 (0) 475 664 600  
 Fax 33 (0) 475 664 330  
 E-MAIL webmaster@preciamolen.com

RCS: 386 620 165 RCS Aubenas

  
**PRECIA-MOLEN™**  
 WORLDWIDE WEIGHING